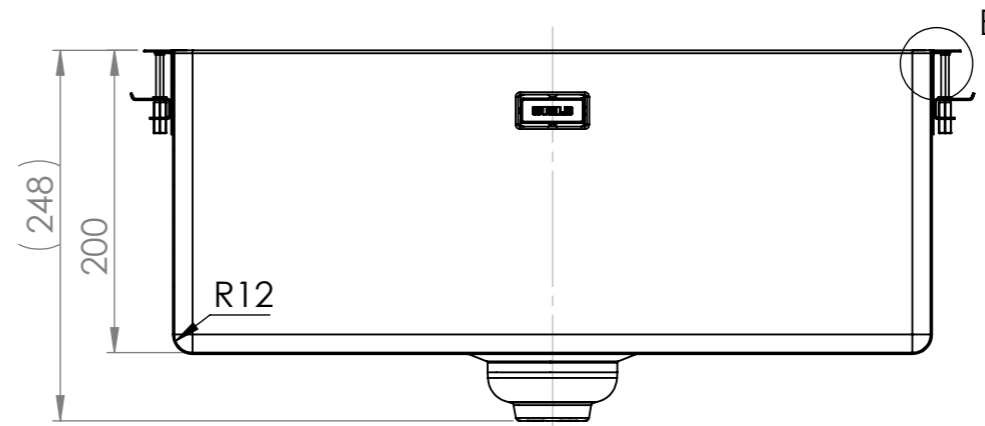
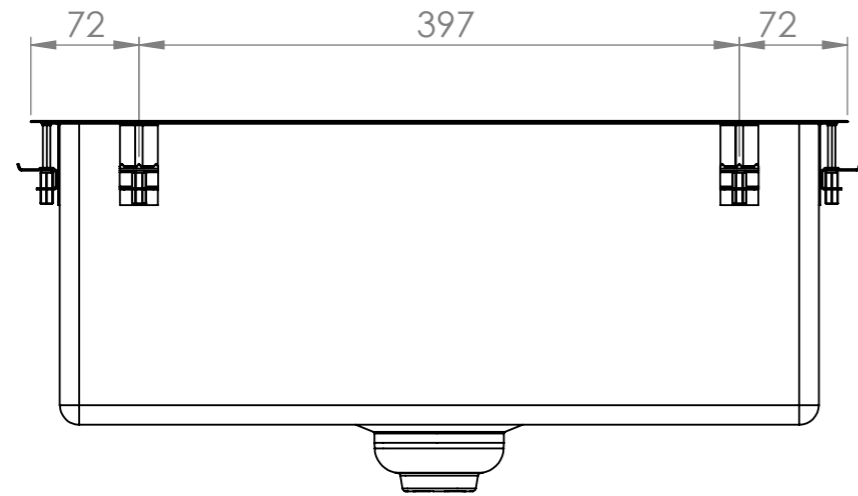


MAIN DIMENSIONS

Change description

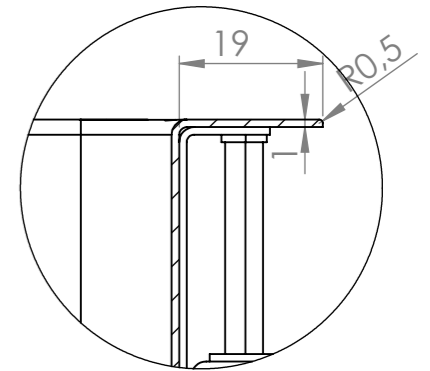
Date

Designed by

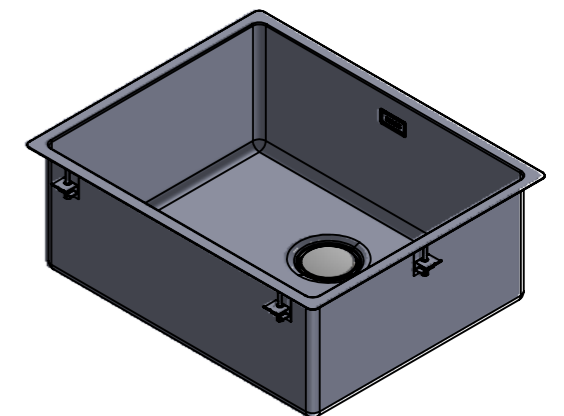
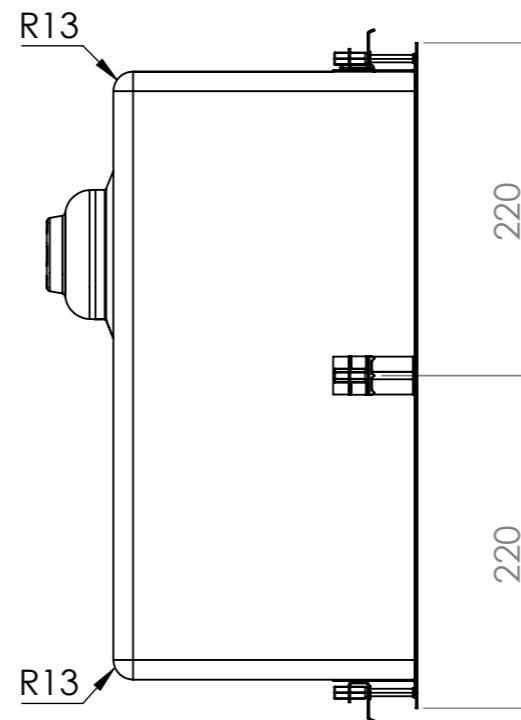
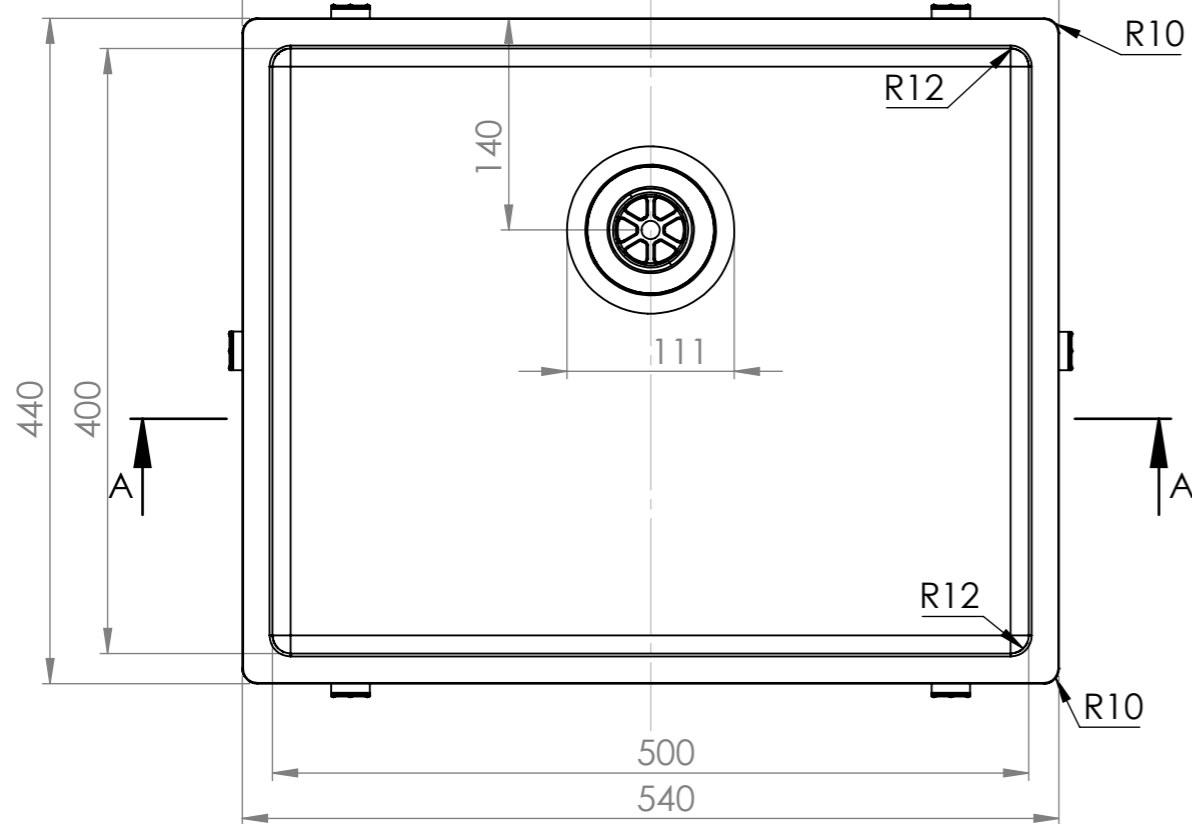


SECTION A-A

Mono sanded edge  
DETAIL B  
SCALE 1 : 1



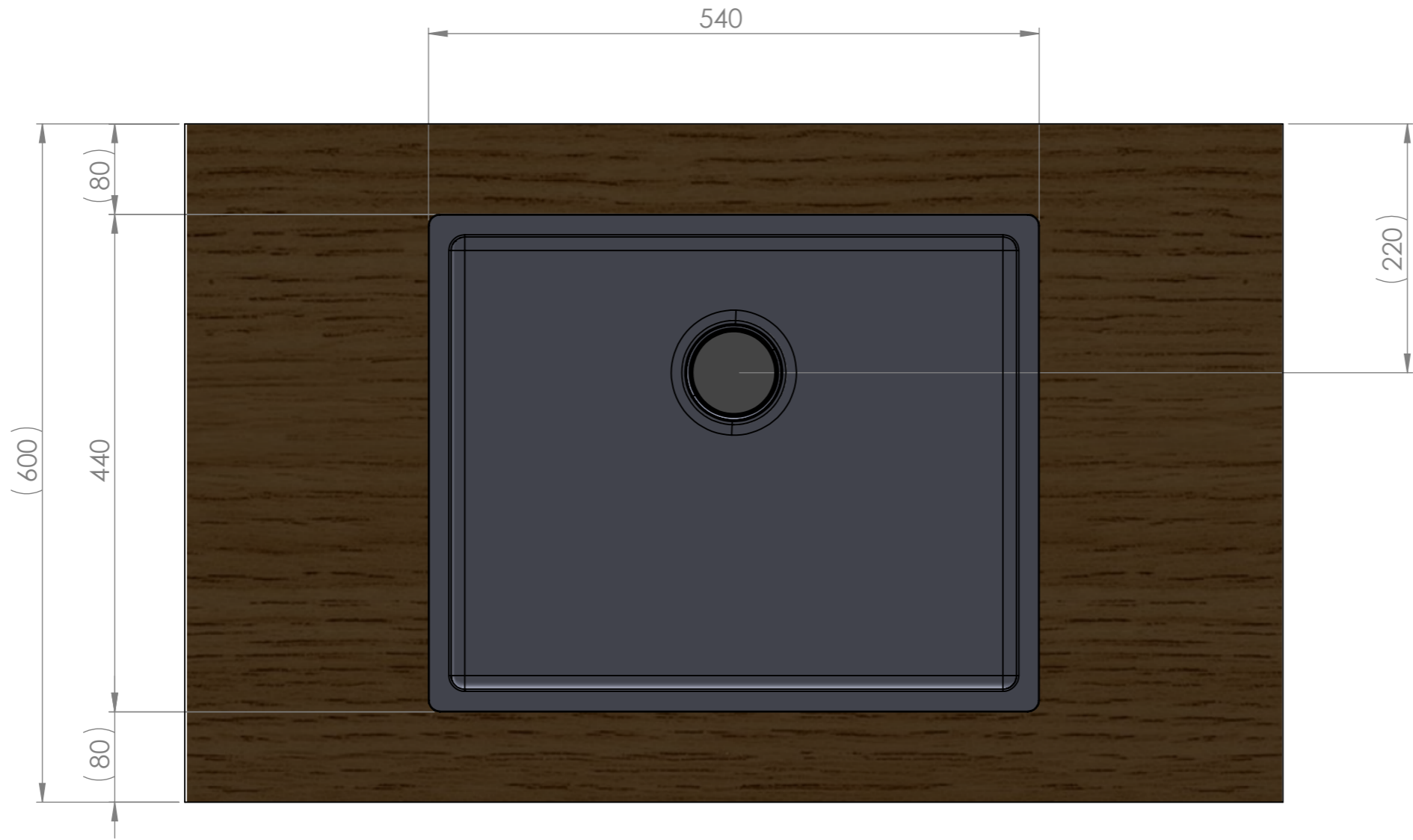
72 397 72 Back side fixing points



	Mass	kg	General tolerance	Designed by	Date
	Size	Scale	Item	VS	26.04.2022
	A3	1:5		Approved by	Date
				VS	10.05.2022
 Member of ALVEUS			Description	Drawing number	Sheet/sheets
			ULTRA-50	19461	1/6
Technical Data Sheet				Rev	A

WORKTOP ASSEMBLY

Change description	Date	Designed by
--------------------	------	-------------



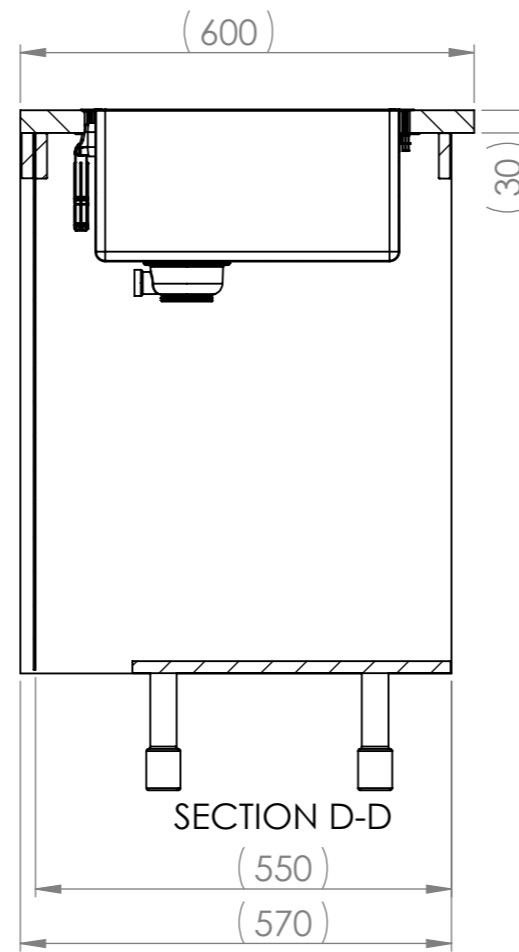
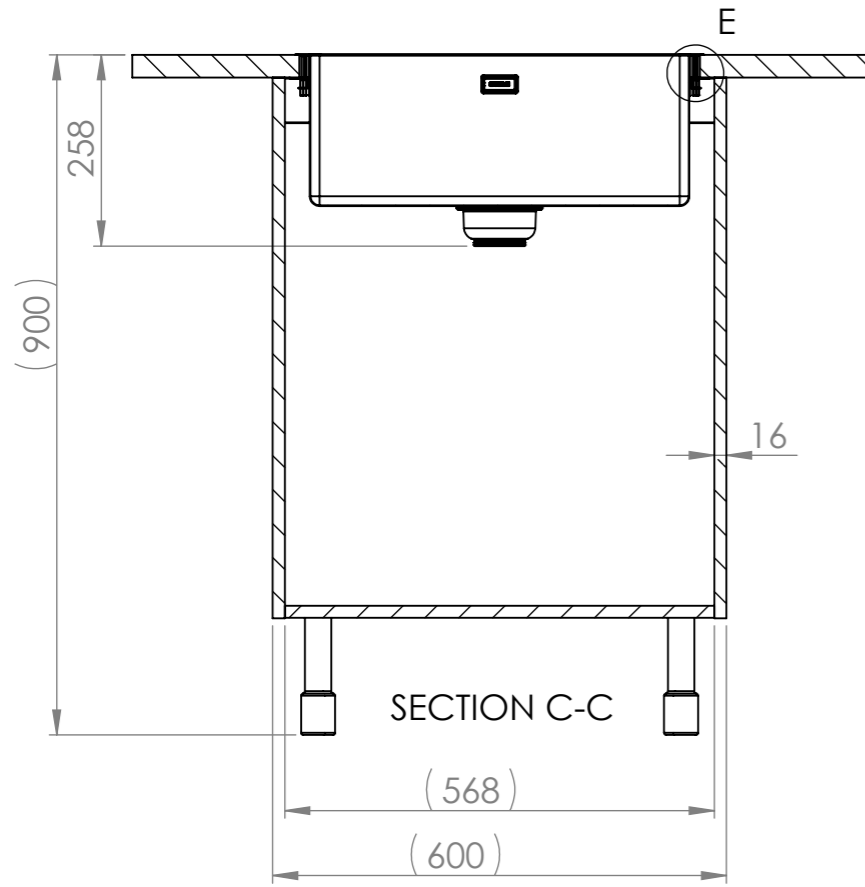
	Mass	kg	General tolerance	Designed by	Date
	Size	Scale	Item	VS	26.04.2022
 Member of ALVEUS	A3	1:5	Description	Approved by	Date
			ULTRA-50	VS	10.05.2022
			Technical Data Sheet	Drawing number	Sheet/sheets
			19461	2/6	Rev
				A	

# SPACE REQUIREMENTS

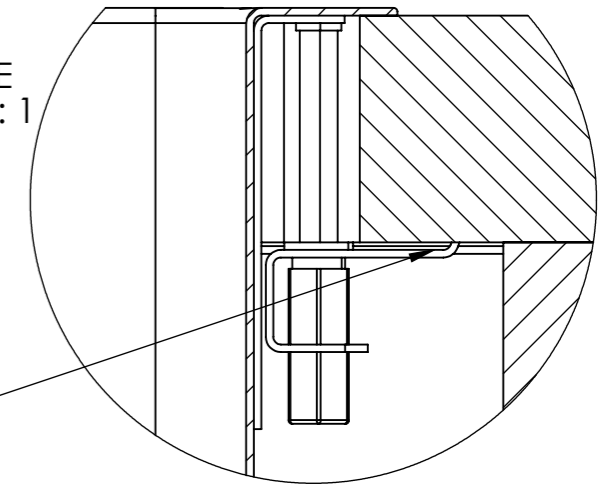
Change description

Date

Designed by



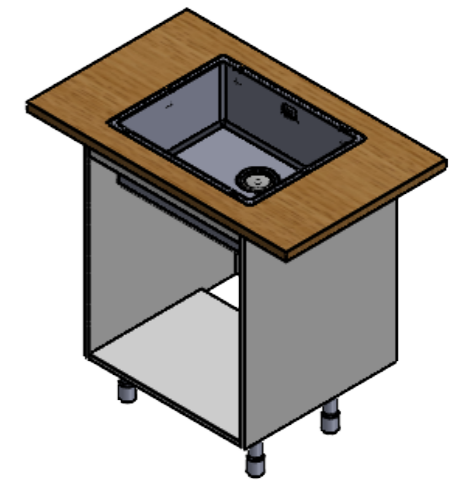
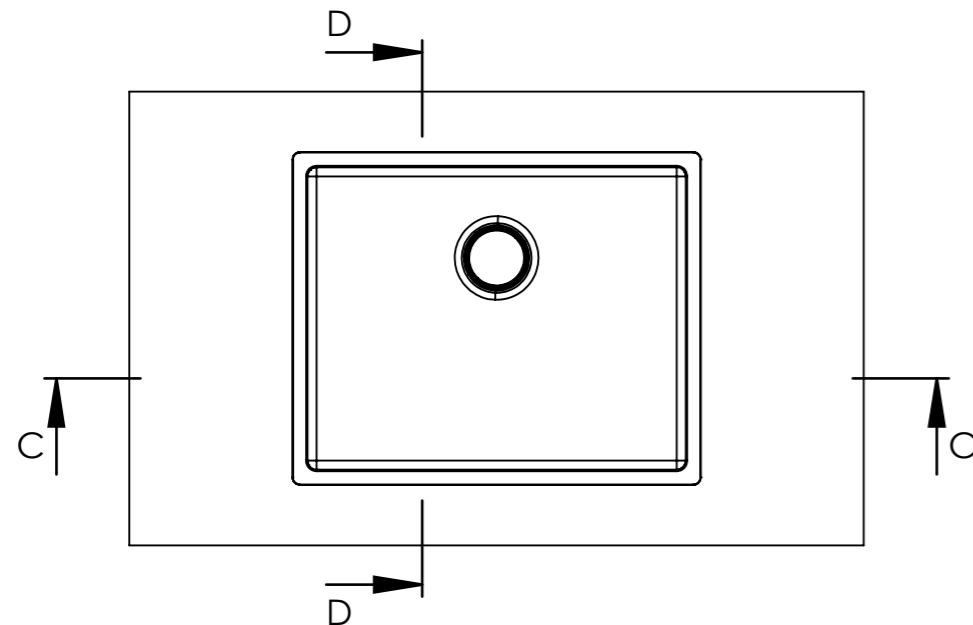
DETAIL E  
SCALE 1 : 1



Huom!  
Tarvittaessa kaapin väliseinää ja etu/takalistaa lovetettava kiinnikkeitä varten ja pesuallas on kiinnitettävä ennen työtason asennusta.

Obs!  
Vid behov måste en inskärning för hofästena göras i skåpets mellanvägg och förbindningslist och diskbänken måste fästas innan du monterar bänkskivan.

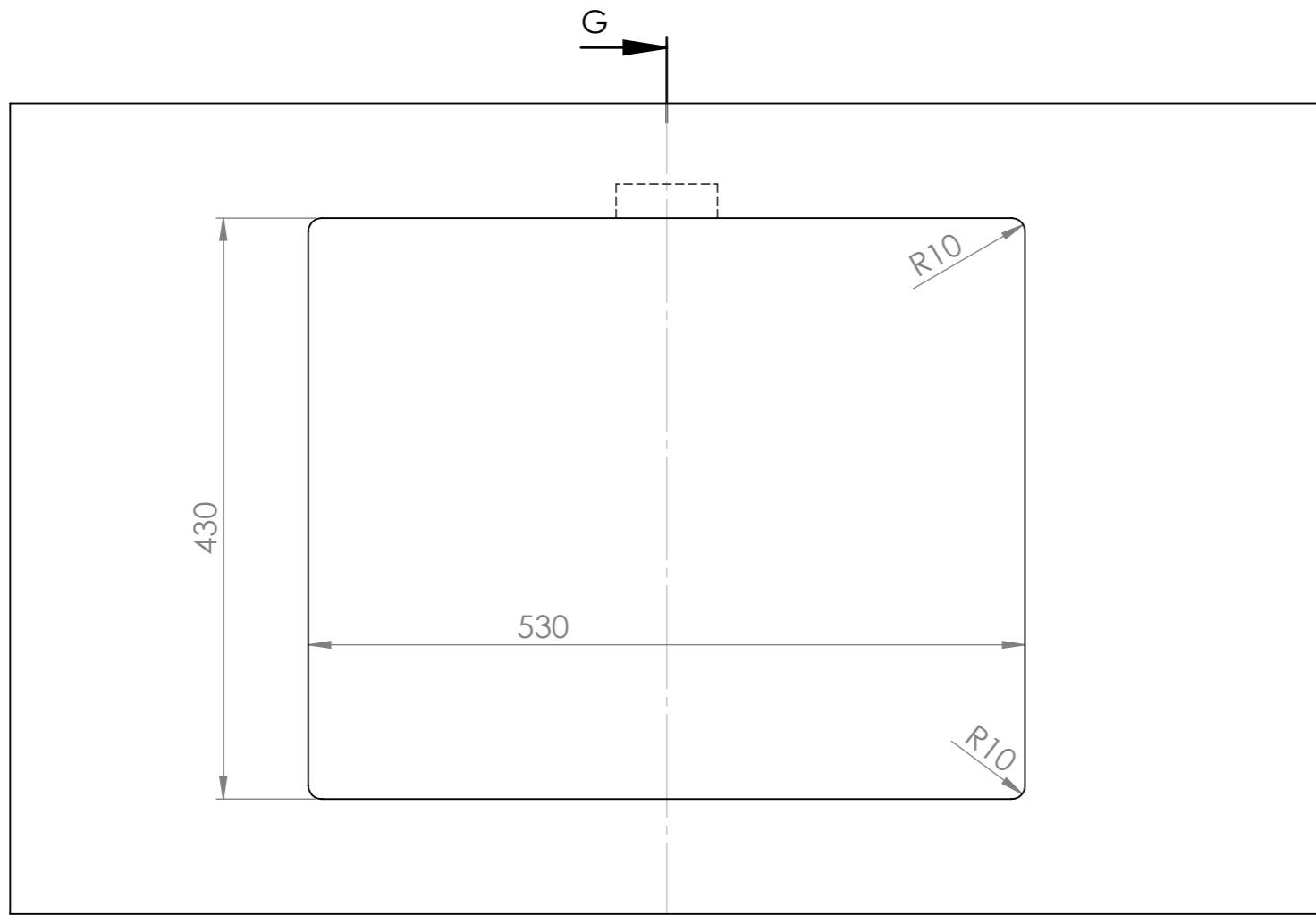
Notice!  
The partition walls and front/back list of the cupboard must be notched for the sink mountings when needed and the sink must be fastened before installing the worktop.



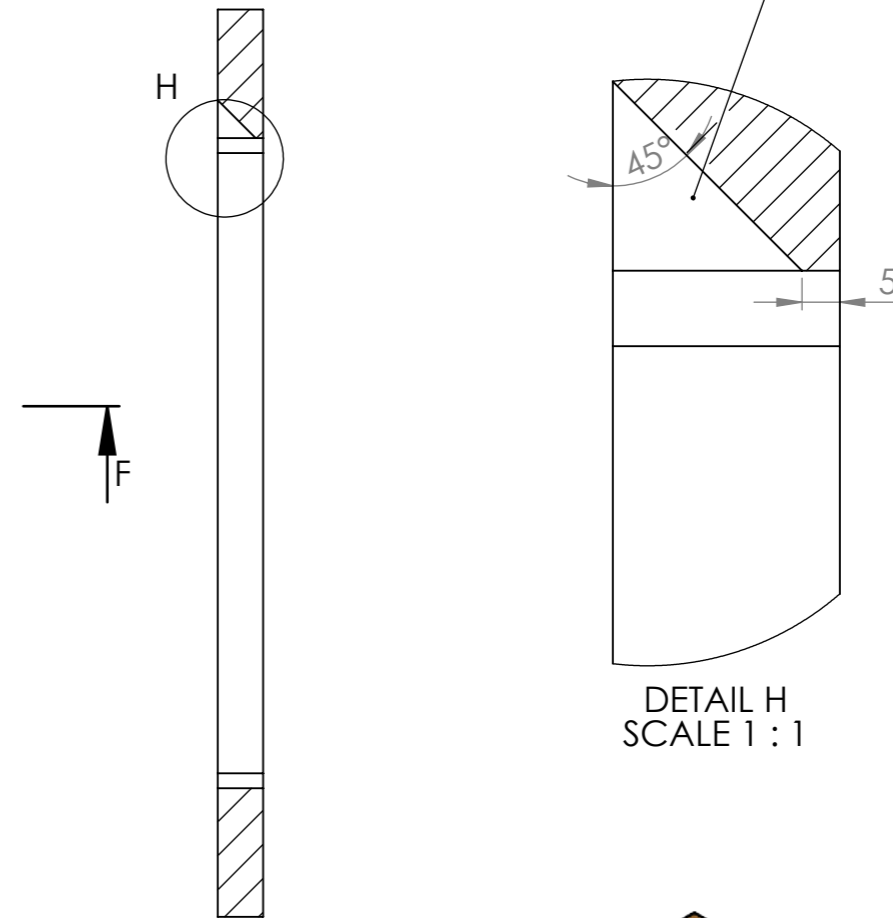
	Mass	kg	General tolerance	Designed by	Date
	Size	Scale	Item	VS	26.04.2022
	A3	1:10	Description	Approved by	Date
	Member of ALVEUS	ULTRA-50	Technical Data Sheet	VS	10.05.2022
			Drawing number	Sheet/sheets	
			19461	3/6	
				Rev	A

Change description	Date	Designed by
--------------------	------	-------------

CUT-OUT

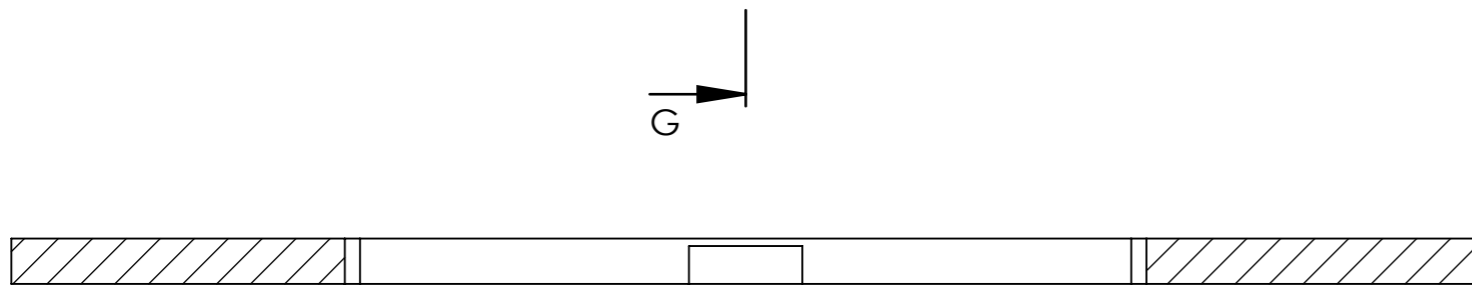


Cut-out for overflow

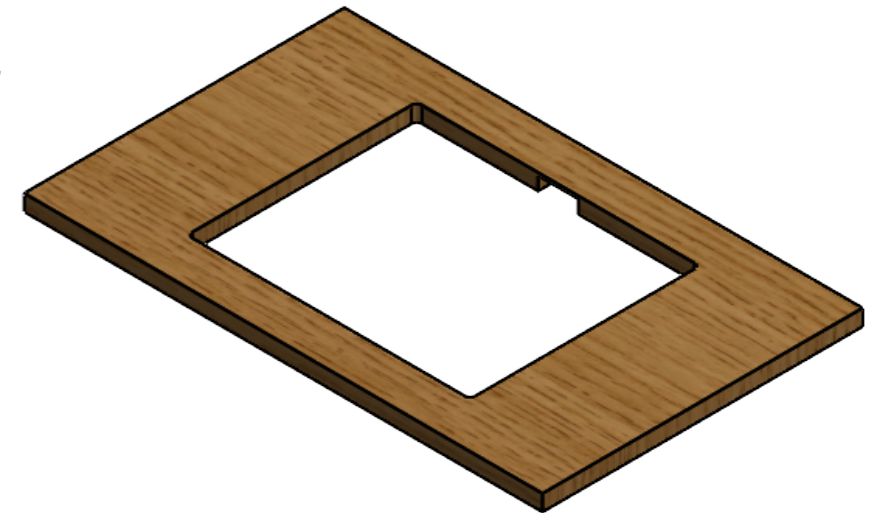


DETAIL H  
SCALE 1 : 1

SECTION G-G



SECTION F-F



	Mass	kg	General tolerance	Designed by	Date
	Size	Scale	Item	VS	26.04.2022
	A3	1:5	Description	Approved by	Date
	Member of	ALVEUS	ULTRA-50	VS	10.05.2022
			Technical Data Sheet	Drawing number	Sheet/sheets
				19461	4/6
					Rev
					A

